



BIT25

86x82x44 mm

SPLIT DEFROST CONTROLLER

- Three highly rated relay outputs
- Configurable control of Aux 1 and Aux 2 outputs
- Alternate set of parameters for energy saving
- Management of multiple alarms
- Option of setpoint adjustment via a potentiometer
- Standby button (On/Off)
- Option of universal power supply
- Connection to LAE supervisory systems

APPLICATIONS:

Upright refrigerators, bottle coolers, plug-in display cases for shops and supermarkets, cold stores, control panels.

TECHNICAL DATA: LCD-5S DISPLAY UNIT

Dimensions : 77x35x20 mm (WxHxD) Panel cut-out: 71x29mm
 Front protection: IP55

TECHNICAL DATA

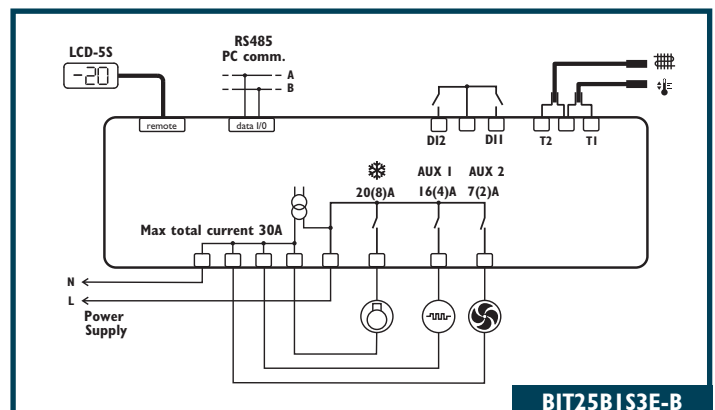
Range: -50...110°C, -58...180°F
 Resolution: 0.1 / 1 °C, °F
 Precision: $\pm 0.5^{\circ}\text{C}$ within the measurement range
 Sensor type: NTC10K
 Power supply: 115Vac, 230Vac or universal 115..230Vac $\pm 10\%$ 50=60Hz 3W

BIT25 series

Functions	A0S2E-A	B1S3E-B
Temperature inputs		
Thermostat	✓	✓
Evaporator		✓
Digital inputs		
DI1 digital input	✓	✓
DI2 digital input		✓
Outputs		
Thermostat	✓	✓
Auxiliary 1	✓	✓
Auxiliary 2		✓
Power supply		
230Vac	✓	✓
Serial port		
TTL	✓	
RS485		✓

All models come with an alarm buzzer.

In order to know more options available for the models, please consult LAE or our local dealer.



BIT25B1S3E-B