

# AD-32

169x38x78 MM



## Universal Defrost Controller

### Main Features

- Selectable Refrigerating or Heating control
- Selectable NTC10K or PTC input
- FLEXICOLD function for energy saving or alternative setpoint
- Timed or optimised defrost control
- Synchronized defrost start and termination with master-slave connection
- Optional control of a second compressor or evaporator
- Excellent evaporator fan control
- Absolute or relative temperature alarms and door open alarm
- Temperature and pressure monitoring and condensing unit maintenance
- Light and standby control (On/Off)
- Quick programming through ZOT-AD key
- Connection to LAE supervisory systems

### Applications

Plug-in cabinets, supermarket display cases, cold stores, upright fridges and freezers, refrigerated tables.

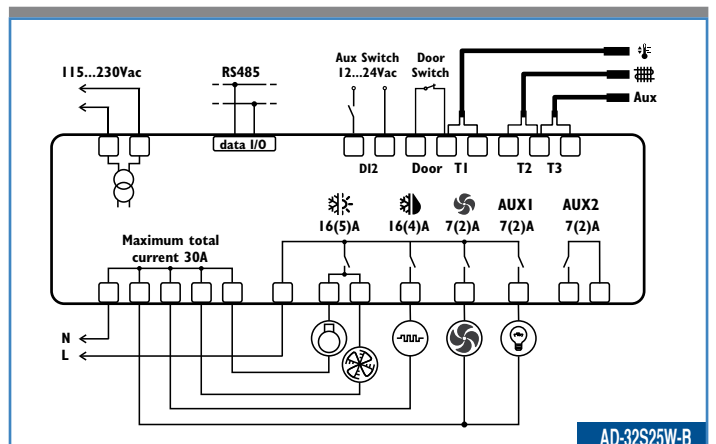
### Technical Data

CONTROL RANGE :	-50...120°C, -55...240°F
RESOLUTION:	0.1 / 1 °C; °F
ACCURACY:	NTC10K: $\pm 0.3^\circ\text{C}$ (-40.0÷70.0°C) PTC1000: $\pm 0.5^\circ\text{C}$ (-50÷120°C)
SENSOR TYPE:	SELECTABLE NTC10K STANDARD MOD. SN4K20P1/P2/P3 OR PTC1000 STANDARD MOD. ST1K20P1/P2/P3
POWER SUPPLY:	115±230V~ ±10% 50÷60Hz 3W
FRONT PROTECTION:	IP55
PANEL CUT-OUT:	163x31.5 MM

### AD-32 Series

Functions	Q13W-AG	S24W-AG	S35W-BG	
Temperature Inputs	Thermostat	✓	✓	✓
	Evaporator	✓	✓	✓
	Auxiliary	✓	✓	✓
Digital inputs	Voltage free contact	✓	✓	✓
	Voltage free contact	✓		
Outputs	12÷24Vac voltage		✓	
	Defrost synchronisation			✓
	Thermostat 15(5)A	✓	✓	✓
Connections	Evaporator fans	✓	✓	✓
	Defrost	✓	✓	✓
	Auxiliary 1		✓	✓
Power supply	Auxiliary 2			✓
	Screw terminals		✓	✓
Serial port	M/F terminals + fastons	✓		
	115÷230Vac	✓	✓	✓
Serial port	Serial port TTL	✓	✓	
	Serial port RS485			✓

All models come with an alarm buzzer  
On request, the AD-32 is also available with 7...30Vdc power supply.  
**In order to know more options available for the models, please consult LAE or our local dealer.**



AD-32S25W-B