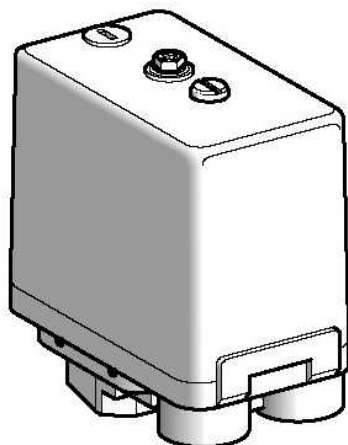


XMAV12L2135

pressure switch XMA 12 bar - adjustable scale
2 thresholds - 1 C/O



Main

| | |
|---|---|
| Range of product | OsiSense XM |
| Pressure sensor type | Electromechanical pressure sensor |
| Pressure sensor name | XMA |
| Pressure sensor size | 12 bar |
| Contacts type and composition | 1 C/O snap action |
| Controlled fluid | Sea water (0...55 °C) Fresh water (0...55 °C) Air (0...55 °C) |
| Fluid connection type | G 1/4 (female) conforming to ISO 228 |
| Cable entry | 2 entries tapped for Pg 13.5 cable gland conforming to NF C 68-300 |
| Electrical connection | Screw-clamp terminals, clamping capacity: 1 x 1...2 x 2.5 mm ² |
| Electrical circuit type | Control circuit |
| [In] rated current | 0.1 A (Ue = 250 V), DC-13, R300 1.5 A (Ue = 240 V), AC-15, B300 3 A (Ue = 120 V), AC-15, B300 |
| Setting | External |
| Colour of cover | Transparent |
| Pressure switch type of operation | Regulation between 2 thresholds |
| Scale type | Fixed differential |
| Local display | Without |
| Enclosure material | PC impregnated with Lexan 123 |
| Adjustable range of switching point on rising pressure | 1.3...12 bar |
| Adjustable range of switching point on falling pressure | 0.3...10.3 bar |
| Pressure actuator | Diaphragm |
| Possible differential minimum at high setting | 1.7 bar |
| Possible differential minimum at low setting | 1 bar |
| Destruction pressure | 30 bar |
| Materials in contact with fluid | Canvas covered nitrile Chromated zinc alloy |
| Maximum permissible accidental pressure | 27 bar |

Complementary

| | |
|--|----------------------------------|
| Height | 113 mm |
| Width | 57 mm |
| Depth | 97.5 mm |
| Operating position | Any position |
| Maximum permissible pressure - per cycle | 15 bar |
| Short circuit protection | 10 A cartridge fuse type gG (gl) |
| Operating rate | 10 cyc/mn |

| | |
|--|--|
| [Ui] rated insulation voltage | 500 V conforming to EN/IEC 60947-1 |
| [Uimp] rated impulse withstand voltage | 6 kV conforming to EN/IEC 60947-1 |
| Electrical durability | 1000000 cycles, 50/60 Hz, AC-15, 240 V/3 A, lth = 10 A |
| Mechanical durability | 1000000 cycles |
| Repeat accuracy | < 3.5 % |
| Product weight | 0.43 kg |

Environment

| | |
|--|---------------------------------|
| Standards | CE EN/IEC 60947-5-1 |
| Product certifications | CCC CSA UL |
| Ambient air temperature for operation | -25...55 °C |
| Ambient air temperature for storage | -40...70 °C |
| Protective treatment | TC |
| Class of protection against electric shock | Class I conforming to IEC 536 |
| IP degree of protection | IP54 conforming to EN/IEC 60529 |

Offer Sustainability

| | |
|----------------------------------|---|
| Sustainable offer status | Green Premium product |
| RoHS | Compliant - since 0627 - Schneider Electric declaration of conformity |
| REACH | Reference not containing SVHC above the threshold |
| Product environmental profile | Available Download Product Environmental |
| Product end of life instructions | Need no specific recycling operations |