

PRESSURE CONTROL (SINGLE TYPE)

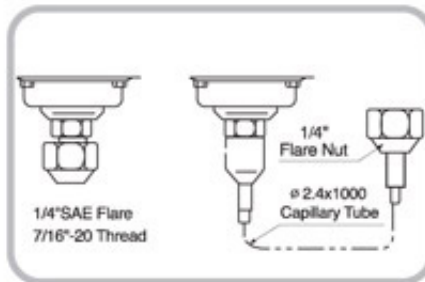
Type HS



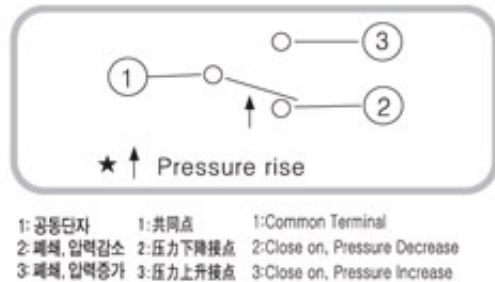
General Description

- For use with fluorinated refrigerants as well as with air and water (Allowable Fluid Temp: -10 to 120°C)
- Type HS for universal application
- Micro-switch ensures reliable switching
- Mounting Bracket supplied as standard
- SPDT contact mechanism

Connection



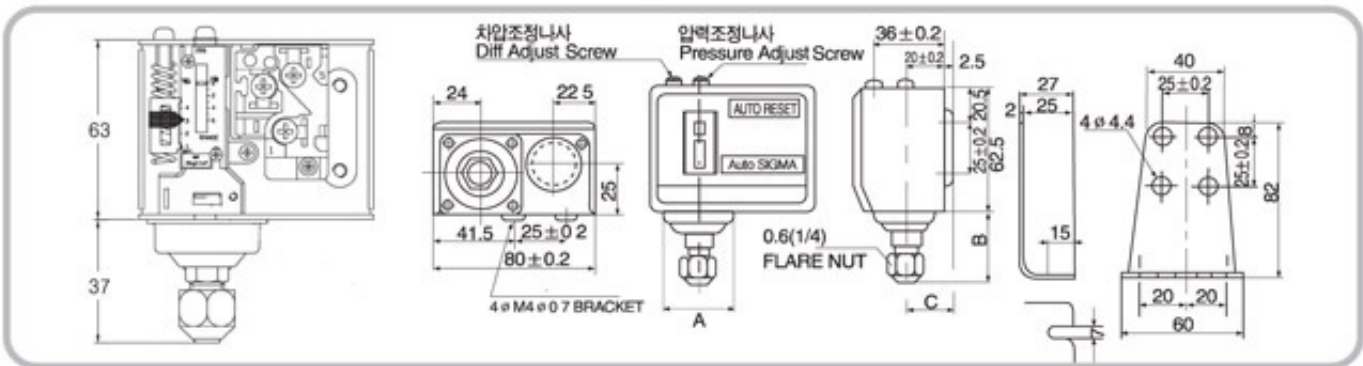
Contact Function



Electrical Function

Rated Voltage(V) 정격전압(V)	역률(cosφ) Power Factor (COS φ)	125/250V AC
무유도부하전류 Non-Inductive Current		2
유도부하전류 Inductive Current	상시전류 Full Load	12
	순시전류 Locked Rotor	72

Appearance



Specification

■ Single type · Auto type

Part No.	Pressure Range		Differential Range		Factory Setting on(off)/off(on)		Max Bellows Pressure		Switch Action	Pressure Connection	Weight
	Bar	Psig	Bar	Psig	Bar	Psig	Bar	Psig			
HS-203	- 0.5 to 3	20 to 43	0.35 to 2	5 to 30	0.5/1.5	7 / 21	11	160	Auto Type SPDT opens High/Low Action	1/4" Flare nut Option: 36" Copper Capillary tube with 1/4" flare nut	0.42kgs
HS-206	- 0.5 to 6	20 to 87	0.6 to 4	9 to 58	2 / 3	29 / 43	16.5	240			
HS-210	1 to 10	15 to 145	1 to 3	15 to 43	4 / 6	58 / 87	16.5	240			
HS-220	5 to 20	73 to 290	3 to 5	43 to 72	12 / 15	174 / 217	40	580			
HS-230	5 to 30	73 to 435	3 to 10	43 to 145	15 / 20	217 / 290	40	580			

■ SManual type

HS-203M	- 0.5 to 3	20 to 43	0.35 to 2	5 to 30	1.5	21	11	160	SPDT Manual Reset Trip on Pressure rise	1/4" Flare nut Option: 36" Copper Capillary tube with 1/4" flare nu	0.42kgs
HS-206M	- 0.5 to 6	20 to 87	0.6 to 4	9 to 58	3	13	16.5	240			
HS-210M	1 to 10	15 to 145	1 to 3	15 to 43	6	87	16.5	240			
HS-220M	5 to 20	73 to 290	3 to 5	43 to 72	15	217	40	580			
HS-230M	5 to 30	73 to 435	3 to 10	43 to 145	20	290	40	580			

(The specification of this goods are subject to change without notice for improve of quality.)