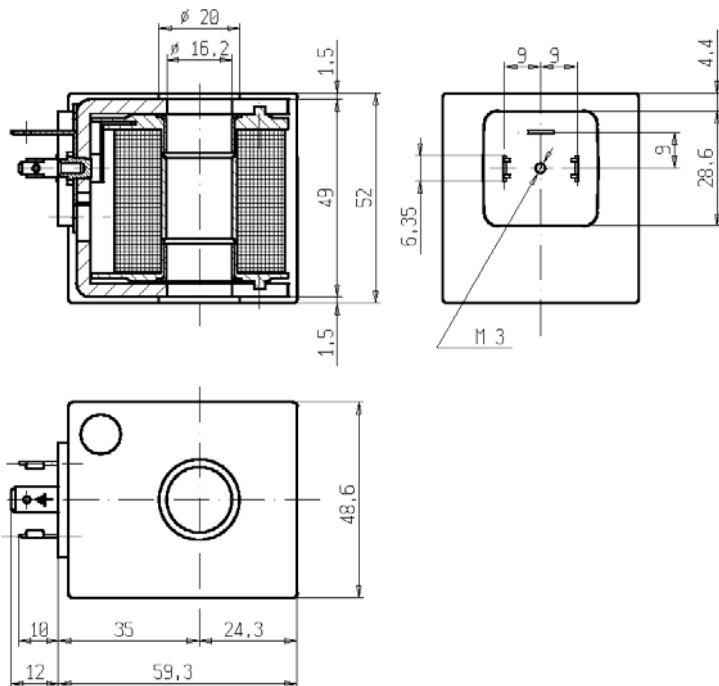




# COIL

## Spade terminals (DIN 46340)

Z9..



### ► GENERAL FEATURES

Complying with 73/23/EC directive and relative modification 93/68/EC.  
Complying with VDE 0580 standard (100% inspected).

### ► ELECTRIC CONNECTIONS

Spade terminals 6,3 x 0,8 (DIN46340), 2 line + 1 earth terminals.  
3 poles plug connector (DIN 43650)

### ► ENCAPSULATION MATERIALS

PET (polyethylene terephthalate) fiberglass reinforced (black colour)

### ► TECHNICAL FEATURES

*Duty*

Z923A - Z923E - Z914A: ED 100%

*Insulation class*

Z923G - Z914G: ED 60%

Z923A - Z923G - Z923E : F (140°C)

Z914A - Z914G: H (165°C)

*Ambient temperature*

Z923A - Z923G - Z923E : -10°C +60°C

Z914A - Z914G : -10°C +80°C.

*Protection degree*

IP 65 (EN 60529) with plug connector

*Voltages DC*

12-24V (+10% -5%)

*AC*

24V/50Hz - 110V/50Hz (120V/60Hz) -

230V/50Hz (+10% -15%)

(Other voltages and frequencies on request).

TYPE	POWER ABSORPTION			NOTES	WEIGHT (kg)
	AC (VA)		DC (W)		
	Inrush	Holding			
Z923A	50	27	17	-	0,520
Z923G	150	46	-	1	
Z923E	65	33	21	-	
Z914A	50	27	17	-	
Z914G	150	46	-	1	

### ► NOTES

1- Discontinuous duty ED 60%.