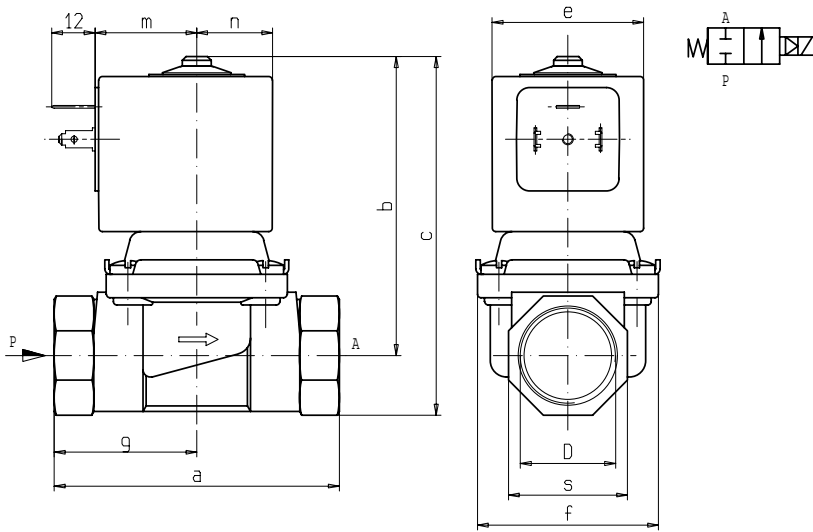




**SOLENOID VALVE**  
**2/2 - NC (Normally closed)**  
**Pilot operated hung diaphragm**  
**G3/8 ÷ 1**

**L133**



D	a	b	c	e	f	m	n	s	g
G 3/8	60	69	80	30	41	21,6	19,9	22	25,5
G 1/2	66	74,5	90	42	41	28	21	27	-
G 3/4	79	81	98	42	51	28	21	33	-
G 1	105	100	121	48,6	71	35	24,3	42	46

► **GENERAL FEATURES**

Pilot operated hung diaphragm valve with full orifice.  
 Designed for closed circuit hydraulic systems and for vessels draining.  
 Suitable to shut off liquid and gaseous fluids (verify the compatibility of fluid with materials in contact).

► **TECHNICAL FEATURES**

*Maximum allowable pressure (PS)* 16 bar  
*Opening time* from ~100ms to ~150ms  
*Closing time* from ~100ms to ~400ms  
*Fluid temperature* -10°C +90°C (NBR)  
 0°C +130°C (FPM)  
*Max viscosity* 5°E (~37 cStokes or mm<sup>2</sup>/s)

► **MATERIALS IN CONTACT WITH FLUID**

*Body* Brass  
*Sealing* NBR or FPM  
*Internal components* Stainless steel and brass  
*Seat* Brass  
*Core tube* Stainless steel  
*Shading coil* Copper

► **COIL**

*Continuous duty* ED 100%  
*Encapsulation material* PET (polyethylene terephthalate) fiberglass reinforced  
*Insulation class* F (140 °C) on request class H (165°C) - UL  
 ZA only: F (155 °C) on request class H (180°C) - UL  
*Ambient temperature* -10 C° +60 °C  
 ZA only: -10 C° +50°C  
*Electric connenctions* DIN 46340- 3 poles connectors (DIN 43650)  
*Protection degree* IP 65 (EN 60529) with plug connector  
*Voltages DC* 12-24V (+10% -5%)  
*AC* 24V/50Hz - 110V/50Hz (120V/60Hz) - 230V/50Hz (+10% -15%)  
 (Other voltages and frequencies on request).

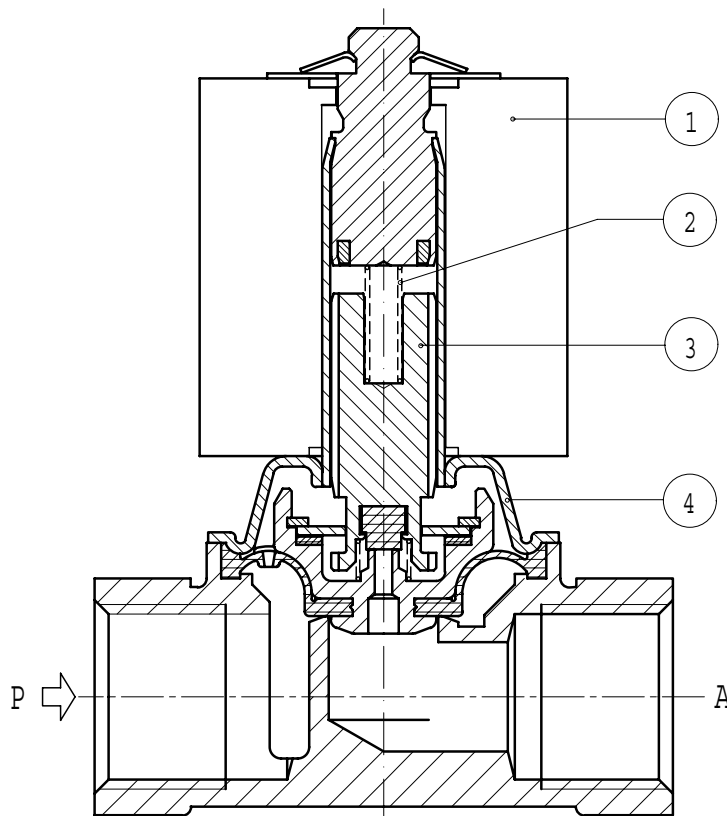
Port size ISO 228	Orifice size (mm)	Differential pressure (bar)				Kv (m <sup>3</sup> /h)	Series and type		Power absorption			Sealings	Notes	Weight (kg)												
		Δp min	Δp max		Valve		Coil	AC (VA)		c.c. (W)																
			Gas	Liquids				Inrush	Holding																	
G 3/8	10	0	10	3	10	3	1,5	L133B10	ZA30A	23	14	9	1	0,440												
	L133V10																									
G 1/2	12,5		10	3	10	3	2,1	L133B07	Z130A	44	24	13	-	-	0,620											
	L133V07																									
G 3/4	17							L133B07								Z923E	65	33	-	-	-	-	-	-	-	1,810
	L133V07																									
G 1	24		10	-	10	-	9	L133B06	Z923A	-	-	-	17	-	-	-										
								L133V06																		
								L133B06																		
			-	3	-	3		L133V06																		

► **NOTES**

- Sealings : NBR = Nitrile-butylene elastomer FPM = Fluoro-carbon elastomer  
 The nominal flow is guaranteed with Δp min ≥ 0,3 bar. Contact us in case of lower Δp min values.  
 1 - The valves fitted with 50Hz coil can operate at 60 Hz but in this case the Δp max corresponds to the nominal value less 20%.

# L133

## ► SPARE PARTS



Kit description		Kit P.N.	Consisting of:	
Core diaphragms kit	G 3/8	L133V10	G3104302	Core return spring pos.2 Diaphragm assembly with core assembly pos.3
	G 3/8	L133B10	G3104301	
	G 1/2	L133V07	G2990102	
	G 1/2	L133B07	G2990101	
	G 3/4	L133V07	G2990202	
	G 3/4	L133B07	G2990201	
	G 1	L133V06	G2991902	
	G 1	L133B06	G2991901	
Core return spring kit	G 3/8	L133B-V10	G3103701	n°10 core return springs pos. 2
	G 1/2	L133B-V07	G2139901	
	G 3/4	L133B-V07	G2918601	
	G 1	L133B-V06	G2955801	
Guide assembly	G 3/8	L133B-V10	3104101R	Guide assembly pos. 4
	G 1/2	L133B-V07	3077801R	
	G 3/4	L133B-V07	3077701R	
	G 1	L133B-V06	2408202R	
Coil	L133B-V10	ZA30A	Coil pos. 1	
	L133B-V07	Z130A		
	L133B-V06 (DC)	Z923A		
	L133B-V06 (AC)	Z923E		

## ► INSTALLATION

Solenoid valve can be mounted in any position; vertical with coil upwards preferred.