

Part number

CHV 06 LG



Hood, C-TYPE series, with 1 lever, Pg16 top cable entry, size "44.27"

Product description

| | |
|---------------------|-----------------------------------|
| Product type | Hood |
| Series | C-TYPE |
| Closing type | With 1 lever |
| Size | Size "44.27" |
| Cable entry | Top cable entry with adapter Pg16 |

Technical data

| | |
|--------------------------------|--------------------|
| IP degree of protection | IP65 / IP66 / IP69 |
|--------------------------------|--------------------|

Further technical details

| | |
|---|----------------|
| Weight | 155,00 g |
| Operating temperature range (min, max) | -40°C...+125°C |

Material properties

| | |
|------------------------------|---------------|
| Colour | RAL 7040 grey |
| RoHs conformity | Compliant |
| China RoHs - EFUP | E |
| REACH SVHC substances | No |

Approvals / Standards

| | |
|-----------------------|---------|
| Certifications | DNV, BV |
| UL | ECBT2 |
| cUL | ECBT8 |

General ordering information

| | |
|-------------------|---------------|
| EAN13 code | 8015747024228 |
|-------------------|---------------|

Packaging Information

| | |
|----------------------------------|----------------------|
| Packaging length | 160,00 mm |
| Packaging height | 130,00 mm |
| Packaging width | 270,00 mm |
| Packaging weight | 1,73 kg |
| Packaging volume | 5,62 dm ³ |
| Packaging description | Carton box |
| Packaging quantity | 10 Pcs |
| Packaging EAN code | 8015747024235 |
| Sub-packaging weight | 0,87 kg |
| Sub-packaging description | Carton box |
| Sub-packaging quantity | 5 Pcs |
| Sub-packaging EAN barcode | 8015747024242 |

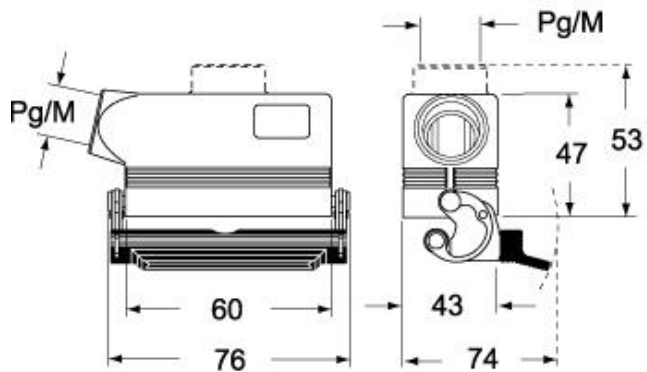
Part number

CHV 06 LG

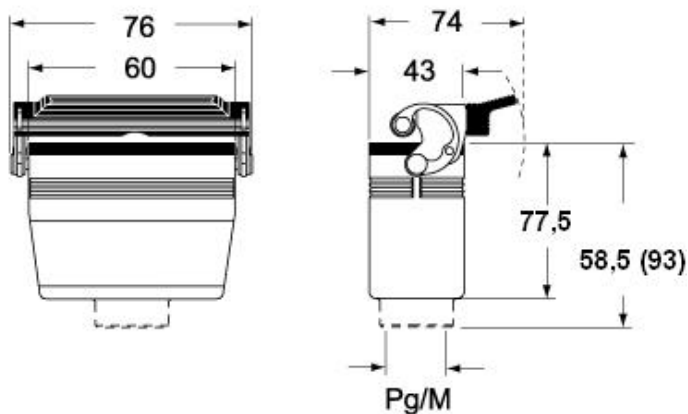


Catalogue drawings

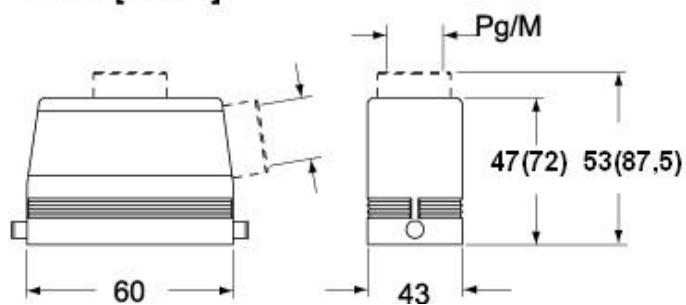
CHO LX CHV LX - MHO LX MHV LX



CHV LG (CAV LG), MHV LG (MAV LG) [MFV LG]



CHO L (CAO L) - MHO (MAO/MFO/MFV L) MHV L [MAV L]



Notes

Dimensions shown in mm are not binding and may be changed without notice.