

Part number

CHV 06 L13



Hood, C-TYPE series, with 2 pegs, Pg13.5 top cable entry, size "44.27"



| Product description | | Material properties | |
|---|-------------------------------------|-------------------------------------|----------------------|
| Product type | Hood | Colour | RAL 7040 grey |
| Series | C-TYPE | RoHs conformity | Compliant |
| Closing type | With 2 pegs | China RoHs - EFUP | E |
| Size | Size "44.27" | REACH SVHC substances | No |
| Cable entry | Top cable entry with adapter Pg13.5 | Approvals / Standards | |
| Technical data | | Certifications | DNV, BV |
| IP degree of protection | IP65 / IP66 / IP69 | UL | ECBT2 |
| Further technical details | | cUL | ECBT8 |
| Weight | 90,00 g | General ordering information | |
| Operating temperature range (min, max) | -40°C...+125°C | EAN13 code | 8015747024112 |
| | | Packaging Information | |
| | | Packaging length | 270,00 mm |
| | | Packaging height | 130,00 mm |
| | | Packaging width | 135,00 mm |
| | | Packaging weight | 1,94 kg |
| | | Packaging volume | 4,74 dm ³ |
| | | Packaging description | Carton box |
| | | Packaging quantity | 20 Pcs |
| | | Packaging EAN code | 8015747024129 |
| | | Sub-packaging weight | 0,49 kg |
| | | Sub-packaging description | Plastic packaging |
| | | Sub-packaging quantity | 5 Pcs |
| | | Sub-packaging EAN barcode | 8015747024136 |

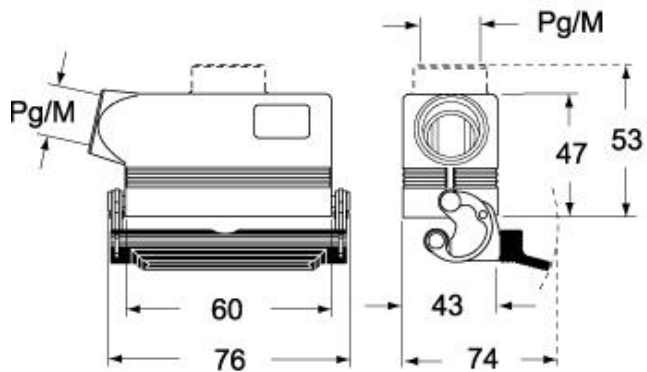
Part number

CHV 06 L13

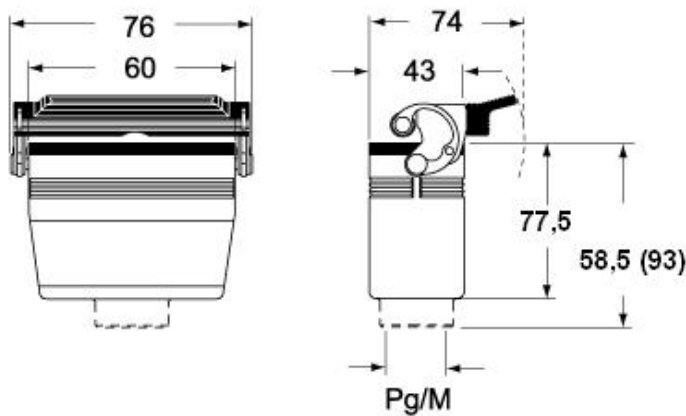


Catalogue drawings

CHO LX CHV LX - MHO LX MHV LX



CHV LG (CAV LG), MHV LG (MAV LG) [MFV LG]



CHO L (CAO L) - MHO (MAO/MFO/MFV L) MHV L [MAV L]

