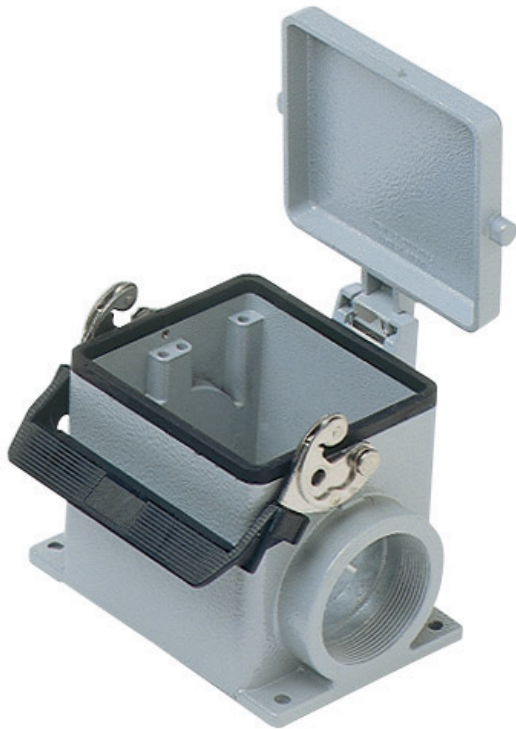


Part number

CHP 32 LS



Surface mounting housing, C-TYPE series, with 1 lever, Pg36 cable entry, size "77.62", with metal cover

Product description		Material properties	
Product type	Surface mounting housing	Colour	RAL 7040 grey
Series	C-TYPE	RoHs conformity	Compliant
Closing type	With 1 lever	China RoHs - EFUP	E
Size	Size "77.62"	REACH SVHC substances	No
Cable entry	With cable entry Pg36	Approvals / Standards	
Specification	With metal cover	Certifications	DNV, BV
Technical data		UL	ECBT2
IP degree of protection	IP65 / IP66 / IP69	cUL	ECBT8
Further technical details		General ordering information	
Weight	795,00 g	EAN13 code	8015747022866
Operating temperature range (min, max)	-40°C...+125°C	Packaging Information	
		Packaging length	290,00 mm
		Packaging height	140,00 mm
		Packaging width	215,00 mm
		Packaging weight	3,28 kg
		Packaging volume	8,73 dm ³
		Packaging description	Carton box
		Packaging quantity	4 Pcs
		Packaging EAN code	8015747211062
		Sub-packaging weight	0,82 kg
		Sub-packaging description	Plastic packaging
		Sub-packaging quantity	1 Pcs
		Sub-packaging EAN barcode	8015747022873

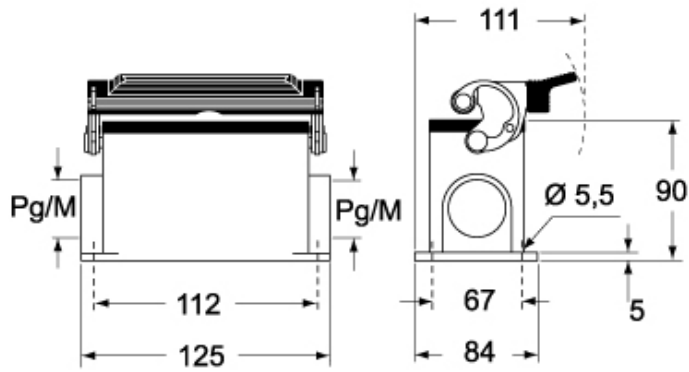
Part number

CHP 32 LS

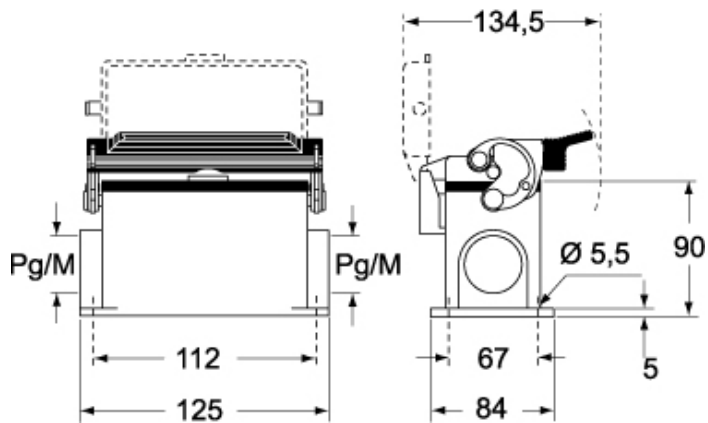


Catalogue drawings

CHP L CAP L - MHP L MAP L



CHP LS CAP LS - MHP LS MAP LS



Notes

Dimensions shown in mm are not binding and may be changed without notice.