

Part number

CHO 10



Hood, C-TYPE series, with 4 pegs, Pg16 side cable entry, size "57.27"

Product description		Material properties	
Product type	Hood	Colour	RAL 7040 grey
Series	C-TYPE	RoHs conformity	Compliant
Closing type	With 4 pegs	China RoHs - EFUP	E
Size	Size "57.27"	REACH SVHC substances	No
Cable entry	Side cable entry Pg16	Approvals / Standards	
Technical data		Certifications	DNV-GL, BV
IP degree of protection	IP66 (and IP69 DIN 40050 - 9)	UL	ECBT2
Further technical details		cUL	ECBT8
Weight	127,00 g	General ordering information	
Operating temperature range (min, max)	-40°C...+125°C	EAN13 code	8015747019781
		Packaging Information	
		Packaging length	255,00 mm
		Packaging height	150,00 mm
		Packaging width	180,00 mm
		Packaging weight	2,70 kg
		Packaging volume	6,89 dm ³
		Packaging description	Carton box
		Packaging quantity	20 Pcs
		Packaging EAN code	8015747019798
		Sub-packaging weight	0,68 kg
		Sub-packaging description	Plastic packaging
		Sub-packaging quantity	5 Pcs
		Sub-packaging EAN barcode	8015747019804

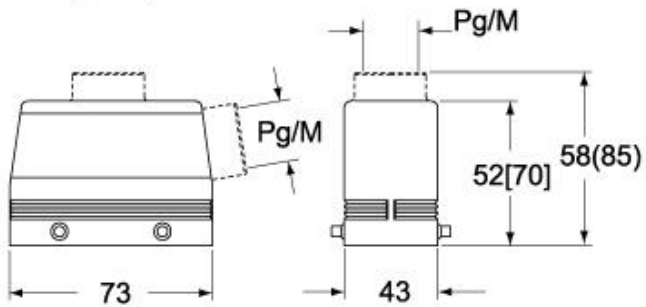
Part number

CHO 10

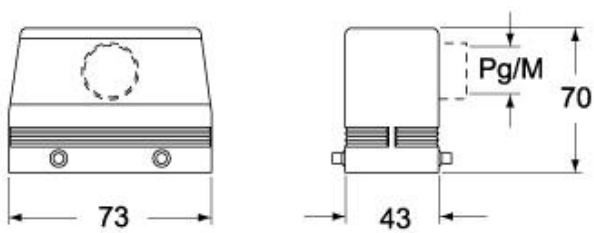


Catalogue drawings

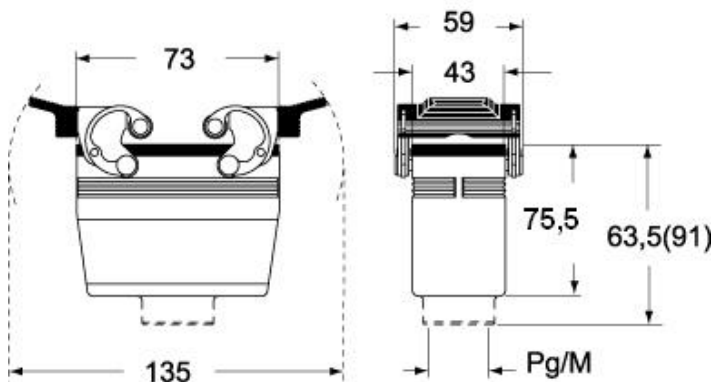
**CHO [CAO] CHV (CAV) - MHO [MAO]
MHV (MAV)**



CAF - MAF/MFF



CHV G (CAV G) - MHV G (MAV G) - [MFV G]



Notes

Dimensions shown in mm are not binding and may be changed without notice.