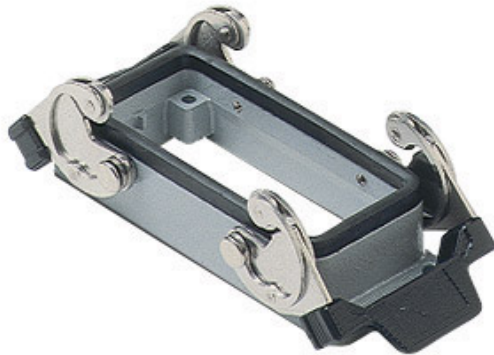


Part number

CHI 16



Bulkhead mounting housing, C-TYPE series, with 2 levers, size "77.27"

Product description

| | |
|---------------------|---------------------------|
| Product type | Bulkhead mounting housing |
| Series | C-TYPE |
| Closing type | With 2 levers |
| Size | Size "77.27" |

Technical data

| | |
|--------------------------------|-------------------------------|
| IP degree of protection | IP66 (and IP69 DIN 40050 - 9) |
|--------------------------------|-------------------------------|

Further technical details

| | |
|---|----------------|
| Weight | 166,00 g |
| Operating temperature range (min, max) | -40°C...+125°C |

Material properties

| | |
|------------------------------|---------------|
| Colour | RAL 7040 grey |
| RoHs conformity | Compliant |
| China RoHs - EFUP | E |
| REACH SVHC substances | No |

Approvals / Standards

| | |
|-----------------------|------------|
| Certifications | DNV-GL, BV |
| UL | ECBT2 |
| cUL | ECBT8 |

General ordering information

| | |
|-------------------|---------------|
| EAN13 code | 8015747017688 |
| eCl@ss 8.1 | 27440202 |
| ETIM 7.0 | EC000437 |

Packaging Information

| | |
|----------------------------------|-----------------------|
| Packaging length | 380,00 mm |
| Packaging height | 230,00 mm |
| Packaging width | 340,00 mm |
| Packaging weight | 7,40 kg |
| Packaging volume | 29,72 dm ³ |
| Packaging description | Carton box |
| Packaging quantity | 40 Pcs |
| Packaging EAN code | 8015747017695 |
| Sub-packaging weight | 0,93 kg |
| Sub-packaging description | Plastic packaging |
| Sub-packaging quantity | 5 Pcs |
| Sub-packaging EAN barcode | 8015747017701 |

Part number

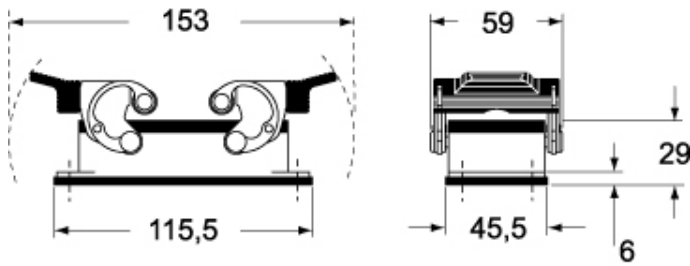
CHI 16



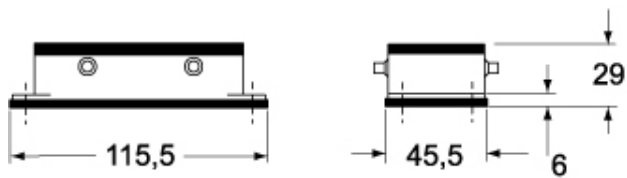
Catalogue drawings

Catalogue drawings

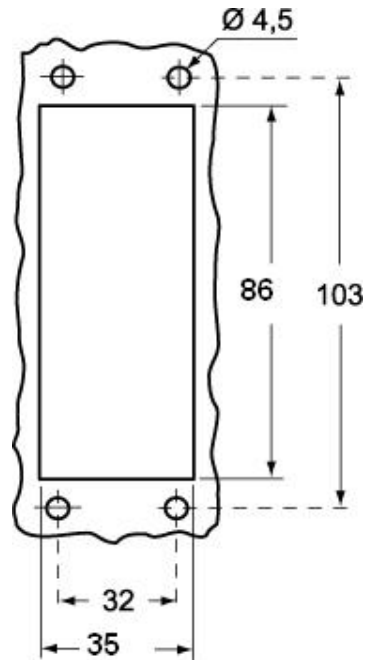
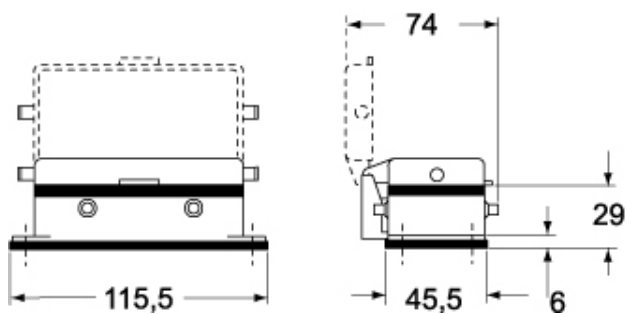
CHI



CHI C



CHI CS/CP



Notes

Dimensions shown in mm are not binding and may be changed without notice.