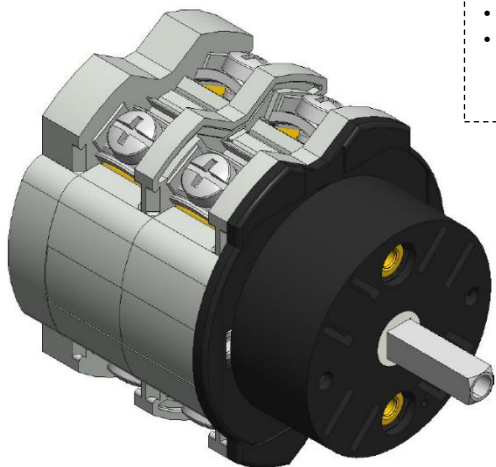


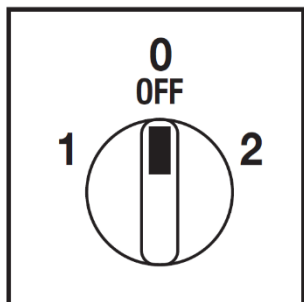
Cod. CA0250009PL2



(Image is purely indicative)



Positions



Standard and Approvals

- Switch according to IEC/EN 60947-3
- Certified UL60947-4-1A and CAN/CSA C22.2 No. 60947-4-1-07
- Suitable as Manual Motor Controller



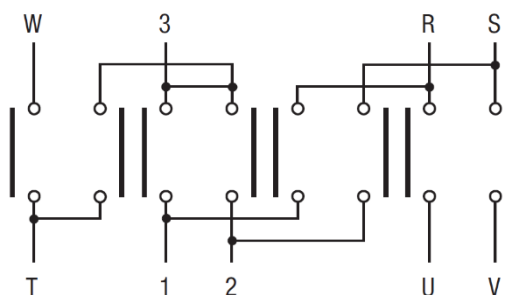
Technical characteristics: Body

- Changing switch Dahlander pole
- IP00 Protection degree
- Rated operational current Ie: 25A (AC-21A)
- Rated thermal current Ith: 32A
- Rated insulation voltage Ui: 690V
- Rear mounting
- Fixing with 2 screw at 28mm vertical
- Switching angle: 60°
- Class V2 self-extinguishing thermoplastic housing
- Assembled with metal shaft and threaded stud bolts to ensure maximum operating reliability
- Positive opening double break contacts, silver alloy made.

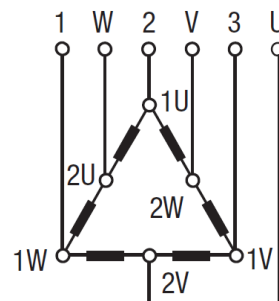
Technical characteristics: Knob

- Transparent plate 75,5x75,5mm and black knob
- Fixing with 2 screws at 28mm vertical
- IP 40 Protection degree

Electrical diagram and function



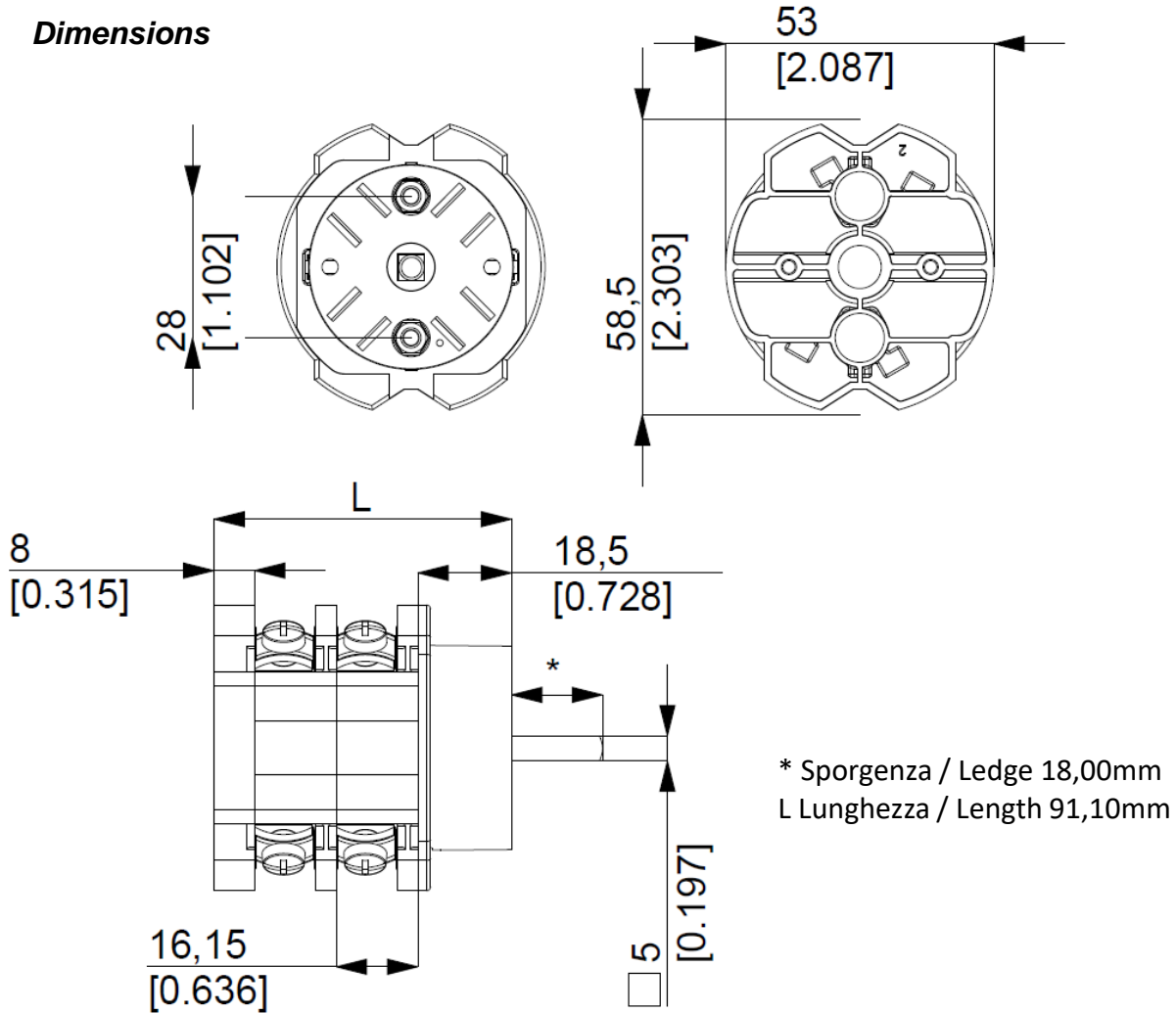
	2	X	X	X	X	X	X	CR	60°								
	0							CA									
	1	X		X	X			CQ									
Contact	1	2	3	4	5	6	7	8	9	10	11	12	13	14	15	16	Angle
Element	1	2	3	4													



Cod. CA0250009PL2

measures in mm (in)

Dimensions



Drilling templates

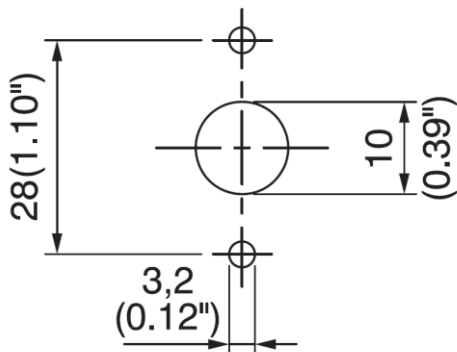
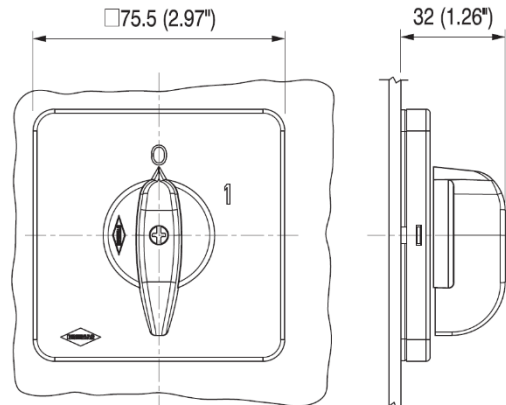


Plate & Knob



Cod. CA0250009PL2

Technical data IEC 947-3 EN 60947-3			
Rated insulation voltage	Ui	V	690
Rated operating voltage	Ue	V	690
Rated impulse withstand voltage	Uimp	kV	6
Rated thermal current for open switch	Ith	A	32
Rated thermal current for enclosed switch	Ithe	A	32
Rated operation frequency		Hz	50/60
Power dissipation for each pole		W	1
Rated operating current			
AC-21A Switching resistive loads, including moderate overloads	Ie	A	25
AC-22A Switching of mixed resistive and inductive loads, including moderate overloads	Ie	A	20
AC-20A Connecting and disconnecting under no loads conditions			-
Rated operating power			
AC-23A Switching of motor loads or other highly inductive loads 3 phase - 3 pole	230V	Kw (A)	7,5 (24)
	400V	Kw (A)	11 (20)
	500V	Kw (A)	11 (15)
	690V	Kw (A)	11 (11)
AC-23A Switching of motor loads or other highly inductive loads 1 phase - 2 pole	110V	Kw (A)	2,2 (25)
	230V	Kw (A)	3,7 (20)
AC-3 Squirrel cage motors: starting, switching off motors during running 3 phase - 3 pole	230V	Kw (A)	5,5 (17)
	400V	Kw (A)	9,5 (16)
	500V	Kw (A)	9,5 (12,5)
	690V	Kw (A)	8,5 (10)
AC-3 Squirrel cage motors: starting, switching off motors during running 1 phase - 2 pole	110V	Kw (A)	1,5 (17)
	230V	Kw (A)	3 (17)
	400V	Kw (A)	-
AC-4 Squirrel cage motors: starting, pluggign, inching	230V	Kw (A)	2,2 (17)
	400V	Kw (A)	3 (5,5)
AC-15 Control of a.c electromagnetic loads	230V	A	8
	400V	A	6
Rated breaking capability in AC-23A (cos φ=0,45)	230V	A	192
	400V	A	160
Short circuit protection			
Rated short time withstand current	Icw	A	400
Rated short-circuit make capacity	Icm	A	2000
Rated conditional short-circuit current	-	kA	10
With fuses class gG	500V	A	35
Technical data UL/CSA			
Rated operating voltage	Ue	UL/CSA V	600/600
General use current	Ie	UL/CSA A	25/25
Short circuit rating @600Vac		Arms	5000
Fuse size (Class RK5, 600Vac, 200kA A.I.C.)		A	60
Rated operating power			
1 phase - 2 pole	120V	Hp (A)	2 (24)/-
	240V	Hp (A)	3 (17)/6
3 phase - 3 pole	200V	Hp (A)	5 (17,5)/-
	240V	Hp (A)	7,5 (22)/-
	480V	Hp (A)	10 (14)/-
	600V	Hp (A)	10 (11)/15
Mechanical characteristics			
Panel tickness	Max	mm	4
Mechanical life		Cycles x 10 ⁶	1,5
		Cycles/hr	120
Connection according to IEC 9471-1 and EN 50947-1			
Connecting capability	With flexible wires	Min-Max	mm ² 2x2,5-10
		Min-Max	AWG 14-8
	With solid wires	Min-Max	mm ² 2x2,5-16
Connection terminal screw dimensions		Type	M4
Screw tightening torque		Nm	1,7
Protection degree IEC 529 EN 60529			
Terminals		IP	00
Ambient conditions			
Operating ambient temperature		°C	-25 ÷ +55
Storage ambient temprature		°C	-30 ÷ +70
Withstand to constant humid according to IEC 60068			2-78
Withstand to cyclic humid according to IEC 60068			2-30