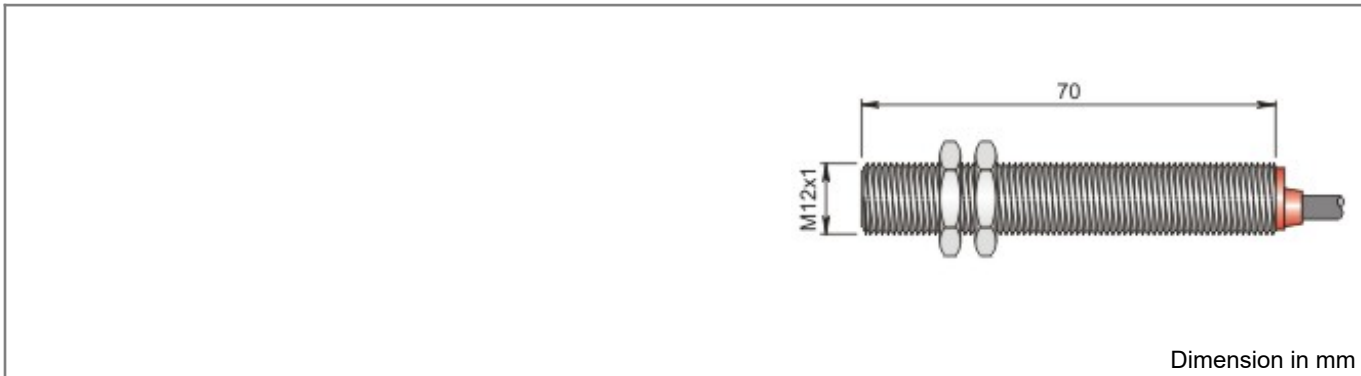




**Part number: SMC000237 - Model: SMC-12L BS**



<b>TECHNICAL CHARACTERISTICS</b>	
Max. switching voltage:	230 Vac/dc
Max switching current:	3 A
Max. switching power:	60 W/VA
Max. switching frequency:	230 Hz
Contact type:	Bistable reed
Contact actuation time:	2.5 mSec
Repeatability (%Sn):	± 0.3
Temperature limits:	-25 ÷ +80 °C
IP rating:	IP 67
Connection type:	Cable 2 m
Housing material:	Nickelled brass
Mechanical characteristics:	M12x1
Cable type:	2x0.50 PVC
Weight:	130 g

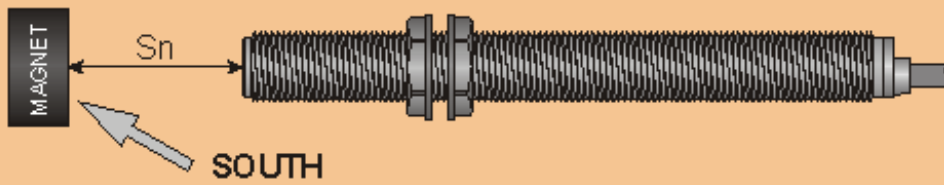


Part number: SMC000237 - Model: SMC-12L BS

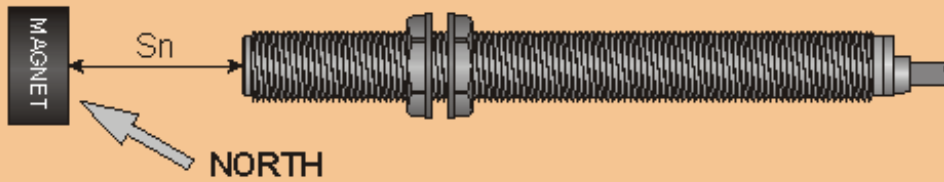
### INSTRUCTIONS FOR CORRECT INSTALLATION

#### SENSING DISTANCE WITH MAGNET M-20

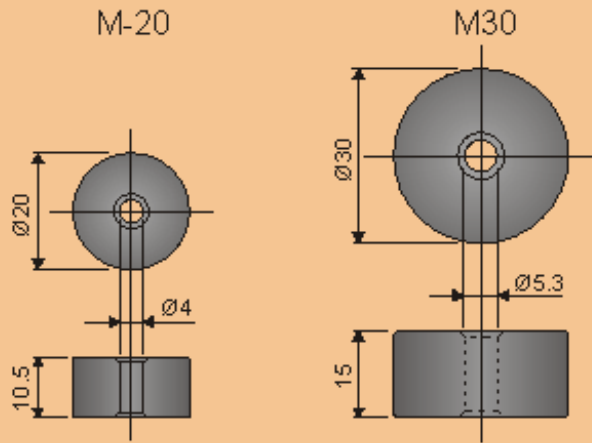
DEACTIVATED BY THE SOUTH POLARITY



ACTIVATED BY THE NORTH POLARITY



**MAGNET - DIMENSIONS mm**



BROWN

BLUE